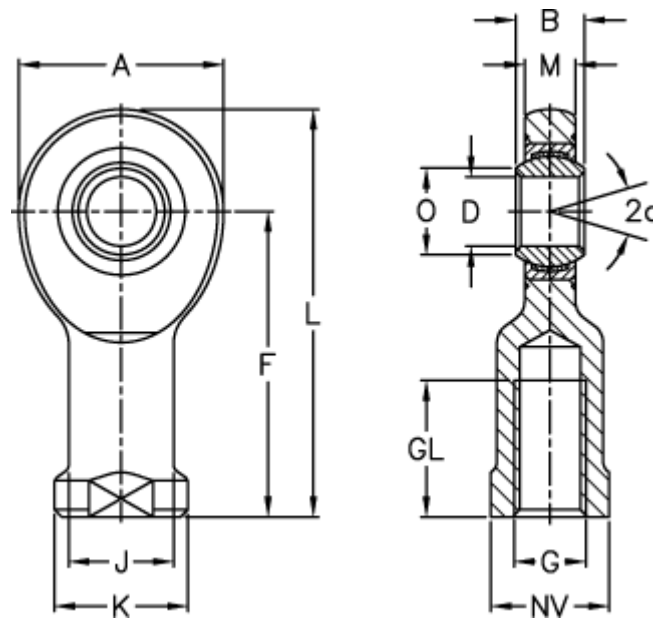


# Data Sheet



Article number: 03485070  
Description: Fluro Rod end EIL 70D-2RS  
Note: 70

## Measures



A	= 160	J	= 80
a (degrees)	= 6	K	= 98
B	= 49	L	= 280
D	= 70	M	= 42
Dynamic drive (kN)	= 590	NV	= 85
F	= 200	O	= 77.9
g	= M56x4	Static drive kN	= 606
GL	= 80	Weight	= 8600